

CD150 - Inset Ceramic Sink Fitting Guide

IMPORTANT INFORMATION, PLEASE READ PRIOR TO STARTING THE INSTALLATION OF YOUR SINK

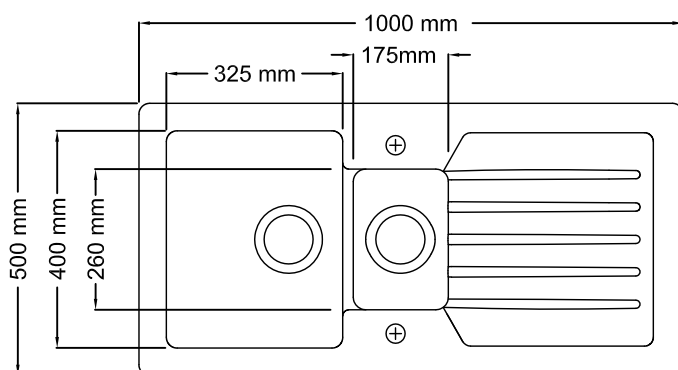
Please carefully read through these guidelines before fitting your ceramic sink. Please ensure the fitting of your sink is completed by a professional fitter. Before starting to fit your sink please check that your sink can be fitted directly into the correct kitchen cabinet, ensure pipework and connections for both taps and waste kits can be installed correctly, in certain circumstances adaption to the kitchen cupboard may need to be made to enable for the sink, tap and pipework to be installed correctly. Please ensure that appliances (such as dishwashers, fridges, washing machines, tumble dryers etc.) can be installed correctly if located under the drainer of your sink or adjacent cabinet prior to undertaking the planned installation of your sink. Please ensure that your work surface is of a suitable thickness to allow for fitting of working drawers and or appliances directly under the draining area of your sink, if in doubt please consult a kitchen planner or installer.

TOOLS REQUIRED (masking tape, pen or pencil, tape measure, hammer and centre punch, electric drill and sharp 5/6 mm masonry drill bit), appropriate cutting equipment/saw for removing the centre of your work surface appropriate clear mastic sealant.

WARNING The sink is very heavy and extremely fragile when removing from the box and during installation and should be lifted and installed by two competent persons. (Cut-outs in materials such as granite, marble and solid surface should be carried out by a qualified tradesperson).

1. Decide on the single tap hole you require prior to removing the pre-punched tap hole of your sink.
2. Measure to find the centre of the pre-punched tap hole required (this can be found on the underside of your sink) mark the centre of the hole with a suitable pen or pencil. Cover this area with a suitable masking tape; again mark the centre of the pre-punched tap hole with a suitable pen or pencil.
3. Ensure that the sink is supported correctly and evenly to avoid uneven stress or damage when removing the pre marked tap hole, using a centre punch crack the glaze in the centre of the required tap hole position.
4. Using a No. 5/6 sharp masonry drill, carefully drill a small pilot hole from the top. NB. Only drill one small hole.
5. You can now proceed to enlarge the hole to the required size by carefully using your hammer with the centre punch. Please undertake this process firmly but carefully, checking regularly that you are working within the confines of the pre-punched tap hole. Once the tap hole is large enough (approximately 30/35mm in diameter use a fine grade sand paper (rolled into a tube shape) to clean the hole and make smooth, your tap hole should now be able to accommodate your chosen tap and be installed correctly. Depending on the unique installation of your sink it may be appropriate to offer and install the overflow of your sink to the sink prior to full installation within the work surface.
6. Measure and mark the cut-out of your sink (970mm x 470mm) on to the surface of your work surface, re-check the measurement carefully, once you have positioned the measurement and are happy carefully cut and remove the marked cut-out section of your work surface, we recommend that porous surface materials (such as laminate and wood work tops) once cut are sealed with a reputable sealer to protect them against damage by moisture. Apply clear high quality water proof mastic to both the underside area of your sink and also around the cut-out area of your work surface. Carefully position your sink into the cut-out ensuring that your sink is aligned correctly and that excess sealant is removed from both the sink and surrounding area of worktop. Allow the sealant to fully cure prior to making final connections and using your sink.

Please do not over tighten any fittings as this may cause the surface of your ceramic sink to crack



Main Bowl Depth 200mm
Small Bowl Depth 150mm
Overall Sink Depth 222mm
Min. base unit 600mm
Cut out size 970mm x 470mm

Dimensions may vary plus or minus 2%

Ref: 3034466
PP144544-01

Ceramic Care & Cleaning Guide

Ceramic is one of the most hygienic and easiest to clean surfaces available. We recommend the following guidelines in order to prolong the life and look of your ceramic sink.

Everyday Maintenance

Just wipe your ceramic sink with a moist cloth and apply some mild liquid soap or any vinegar based cleaner for a simple and effective cleaning solution. It is also good practice to then dry the sink with a soft cloth to avoid limescale forming upon your sink.

A fast and easy way to remove water marks, grease or soap scum deposits is with a proprietary bathroom cleaner such as Flash liquid spray, or similar products found in your supermarket, alternately an overnight soak using diluted biological washing powder should remove the marks easily, always remember to thoroughly rinse your sink afterwards.

Weekly Maintenance

To keep your glazed surface sparkling, apply a dilute solution of bleach every 2 to 3 days. Apply with a sponge or a soft kitchen cloth and rinse the surface of the sink thoroughly with plenty of water, avoid prolonged contact of the bleach solution with wastes and overflows and plastic pipes, the bleach solution can damage the finish of these surfaces if not fully rinsed away.

Limescale Build-up

Lime scale build up in hard water areas can become a problem over time, Tried and tested cleaning agents such as household vinegar or vinegar solution/lemon juice (3 parts hot water to 1 part vinegar/lemon juice) can be used to remove limescale deposits. For stubborn stains, cover with a piece of paper kitchen towel soaked in vinegar and leave to stand overnight. Alternatively, use a cleaner such as 'Limelite' which can be found in most supermarkets. Always finish off by rinsing your sink thoroughly with clean water to remove any residue, and then dry it with a soft cloth to prevent any limescale build up. Limescale can be strongly coloured by foods such as curry sauces, red wine and coffee so prevention of limescale can avoid this staining problem.

Stubborn Marks

Marks caused by iron or aluminium saucepans on the ceramic surface that regular cleaning will not remove, can be removed by a product called 'Astonish - Oven & Cookware Cleaner' paste, which can be obtained from most supermarkets or online. Alternatively, "china rubbers" used together with washing up liquid can be a useful tool for removing stubborn marks.

Things to Avoid

- Abrasive cleaners should not be used as they will dull the gloss finish of your sink
- You should be very careful with all substances containing fluoride, such as rust removers and toothpaste. Make sure that deposits are removed immediately as they can cause stains if left for any length of time.
- Avoid dropping heavy based pan, knives or other kitchen utensils onto or into your sink, especially vulnerable areas such as the rim edge, as this could result in chips or cracks to either the bowl or surface of your sink.
- Don't leave wet cleaning aids on the sink (such as cloths, pads, containers). As the water evaporates off, a mineral or limescale deposit is left behind on the surface.
- Never prepare or chop food directly on to your sinks surface. A wooden chopping board is recommended for this purpose.
- Avoid placing hot pans on the surface of the sink. Your sink can withstand very high temperatures of up to 250°C. Hot pans straight from the hob or oven often exceed this temperature however and could mark or cause crazing to the glaze.
- If diluted bleach is necessary to clean the overflow or waste outlet, squirt into the hole, leave for 2-3 minutes only, then rinse thoroughly with clean water. Don't leave neat bleach in direct contact with the surface for longer than a few minutes as this can cause damage to the stainless steel and pipework along with the surface of your sink.

Never pour strong chemicals directly down the sink to dispose- bleach, ammonia, caustic soda, white spirit or sterilising solution etc. This can cause problems to not only the surface of your sink but also waste fittings, overflows and pipework. Should your sink come into contact with any of these substances please rinse your sinks and flush pipework immediately.