

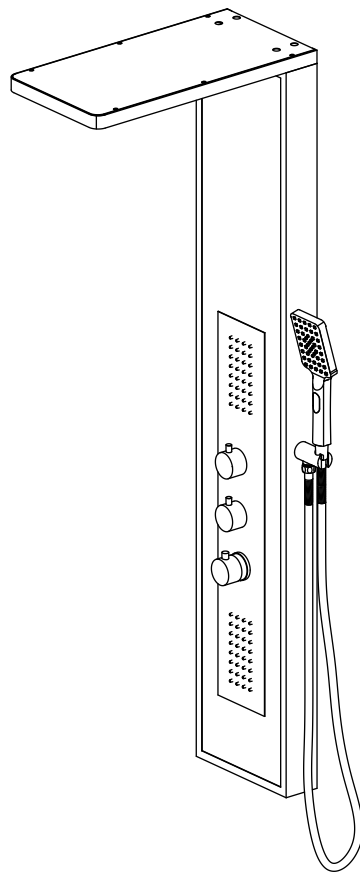
USER MANUAL



Thank you for choosing Better Bathrooms.
Please read this manual before installing your product
and keep for future reference.

better 
bathrooms

Luni Thermostatic Shower Tower BeBa_28181 & BeBa_28182



Please note: Image is for illustrative purposes only and may differ slightly to the actual product

- **Multi-person assembly**
- **Tools required**
- **We always recommend using professional tradespeople to install your product**

V1_26.08.21

Congratulations on your purchase

And welcome to our growing gang of savvy shoppers

We're on a mission to bring you extraordinary bathroom products, for less. From modern to traditional style ceramics, plus the gorgeous fixtures, fittings and furniture to match. So, you can fall in love with your space every single day.

As one of the UK's largest independent bathroom stores, we've received countless awards; including the National Business Awards UK, the Digital Entrepreneur Awards and being placed on The Sunday Times Fast Track 100.

We hope your new product goes above and beyond your expectations. However, should any problems occur, please:

- log in to your account and contact our customer services team via your self-serve portal –betterbathrooms.com/CustomerAccount/Login
- contact us via betterbathrooms.com/content/contact-us

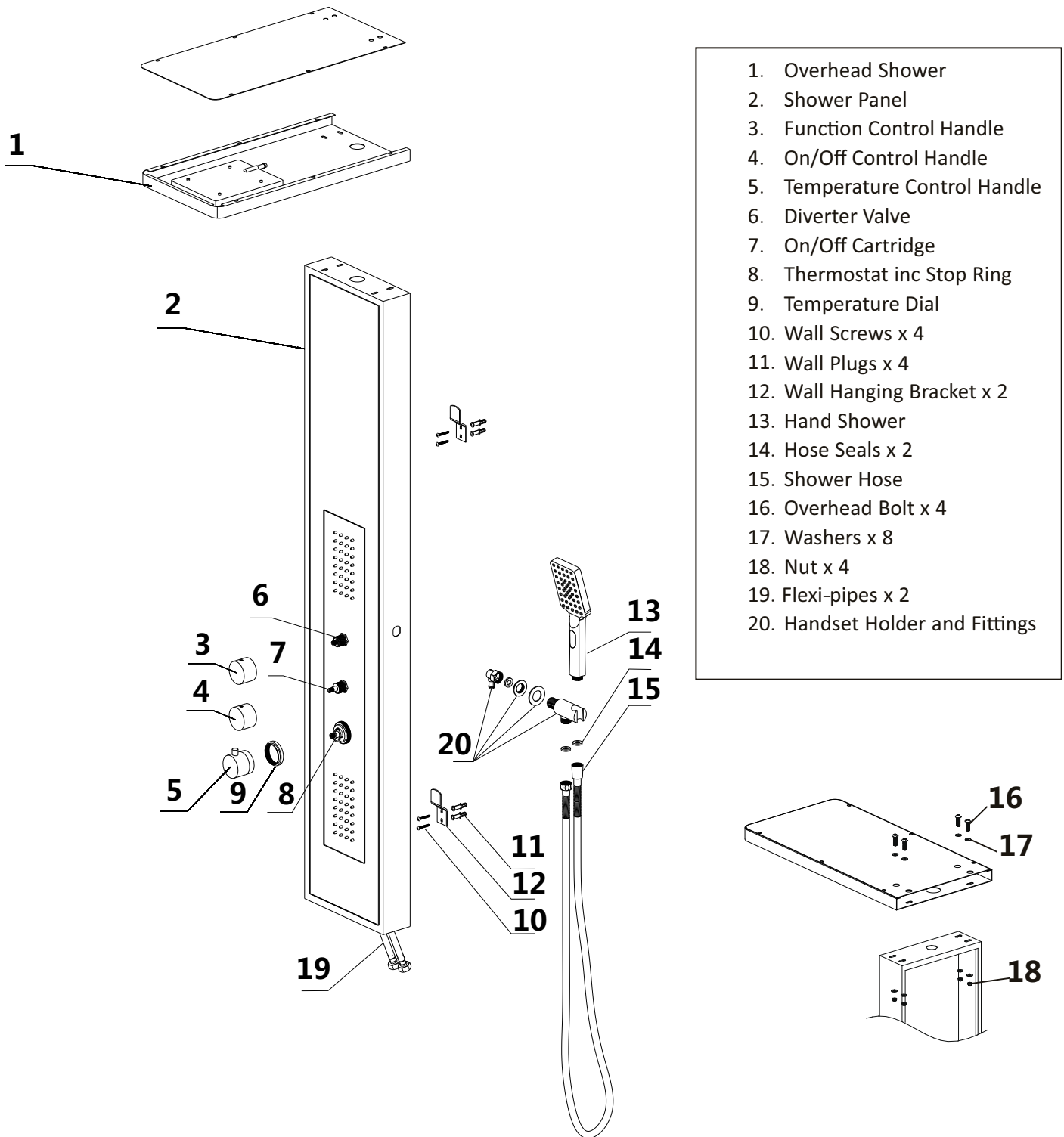
Important information

- Please read these instructions thoroughly and retain for future reference
- Pressures should meet minimum stated on the website
- Pressures must be balanced for optimum performance
- Always check for pipes and cables before drilling

Contents

• Parts / Diagrams	P4
• Tools required	P5
• Installation	P5
• Using	P9
• Troubleshooting	P9
• Maintenance	P10
• Cleaning	P12

Parts/ Diagrams



1. Overhead Shower
2. Shower Panel
3. Function Control Handle
4. On/Off Control Handle
5. Temperature Control Handle
6. Diverter Valve
7. On/Off Cartridge
8. Thermostat inc Stop Ring
9. Temperature Dial
10. Wall Screws x 4
11. Wall Plugs x 4
12. Wall Hanging Bracket x 2
13. Hand Shower
14. Hose Seals x 2
15. Shower Hose
16. Overhead Bolt x 4
17. Washers x 8
18. Nut x 4
19. Flexi-pipes x 2
20. Handset Holder and Fittings

Please note that Parts are for illustrative purposes only and may differ slightly to the actual product

Tools required

Spanner

Silicone

Drill and drill bit

Spirit Level

Pencil

Tape Measure

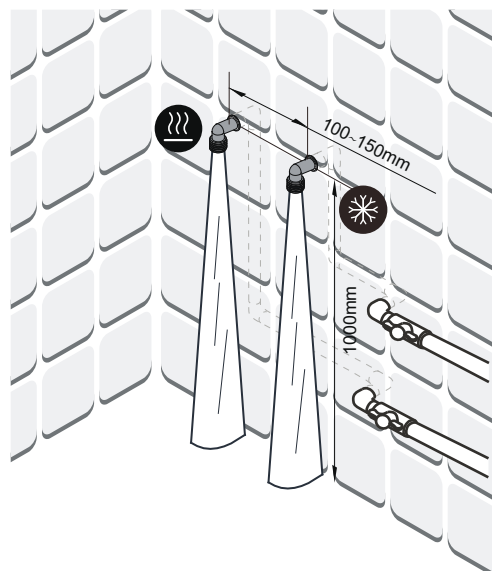
Hammer

Screwdriver

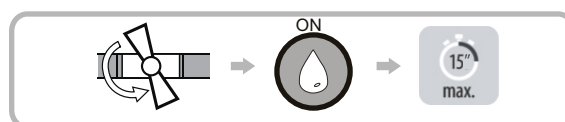
Installation

Prepare the water supply pipes to feed the shower with hot on the left and cold on the right, set approximately at the height and width shown below.

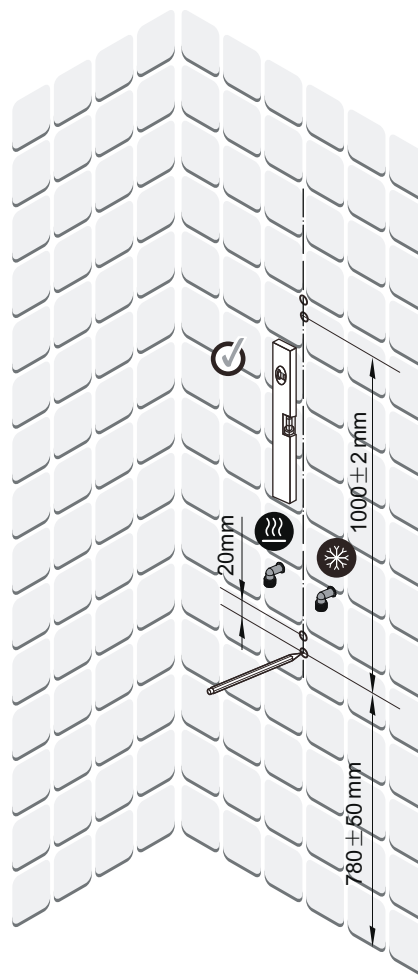
The supply pipes should have a 1/2" male end to connect to the 1.2" female nut on the flexi-pipes



Before commencing installation and with the tray or bath installed to accept the water, turn on the water supply to the water pipes and flush the system for a minimum of 15 seconds, to remove any debris in the system .



Using the measurements provided below, mark the position of the wall hanging brackets, using a spirit level to ensure this are aligned on the wall

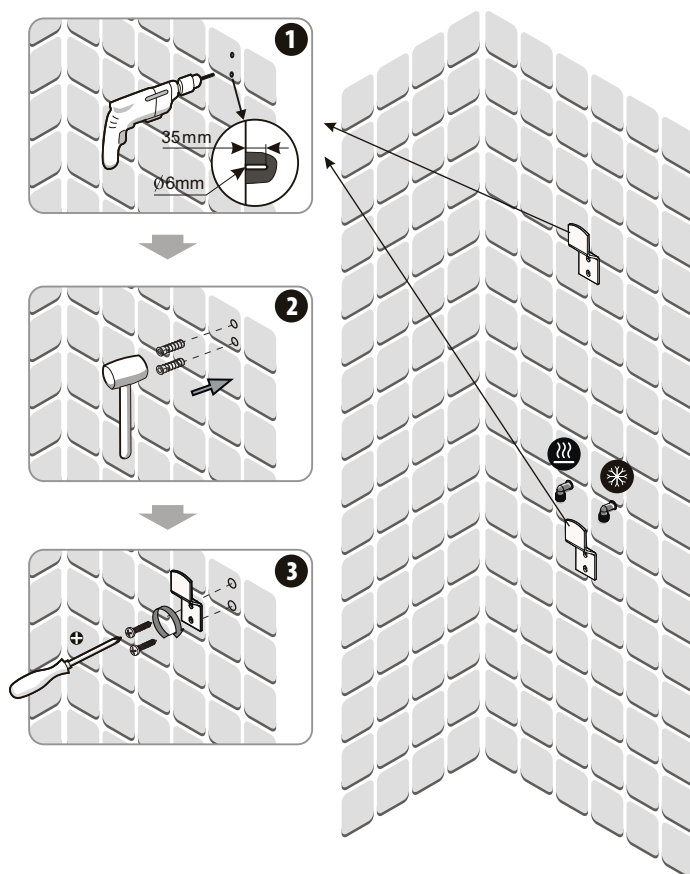


If drilling into tile, it is recommended to tape the wall to prevent the drill from slipping.

Drill the wall 35mm deep using a 6mm drill bit.

Insert the wall plugs and tap flush to the finished wall surface.

Hold the wall hanging bracket to the wall over the drilled holes and secure using the wall plugs provided.



Fit the hand shower holder and outlet to the main panel.

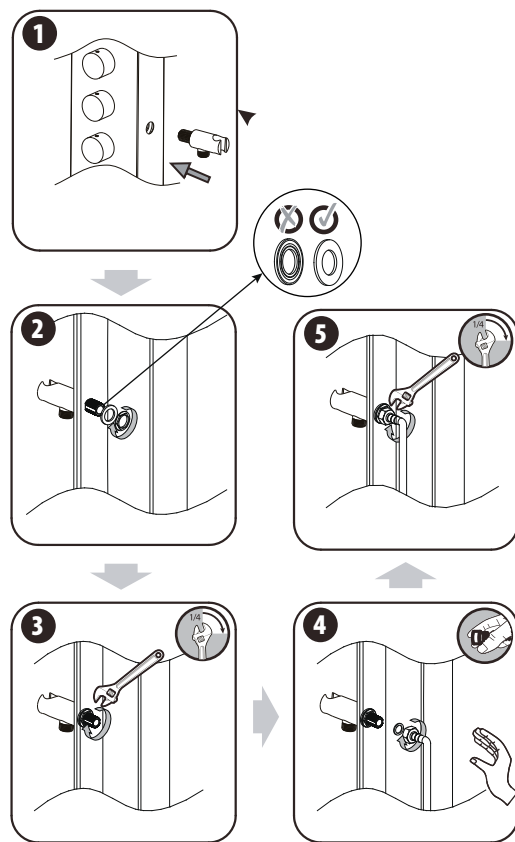
Push the threaded tail section of the holder through the hole in the side of the panel.

Fit the washers over the tail inside the panel and connect the nut.

Ensuring that the holder is aligned and the wider opening in the holder for the hand shower

Is facing upwards, tighten the nut.

Ensuring the seal is fitted connect the pipe which runs from the mixer and which will connect to the holder and tighten the nut.



Connect the overhead shower to the panel.

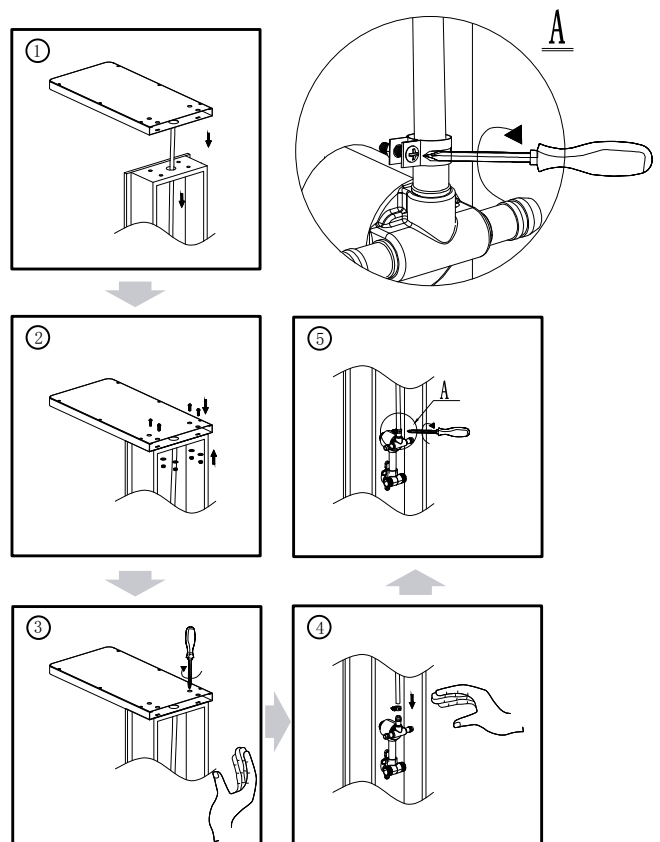
Insert the water pipe from the shower head to shower panel body.

Position the shower head onto the panel and align the holes.

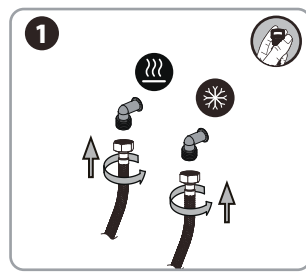
Place a washer onto the bolt and push the bolt through the hole.

From inside the panel fit the second washer and nut, then tighten.

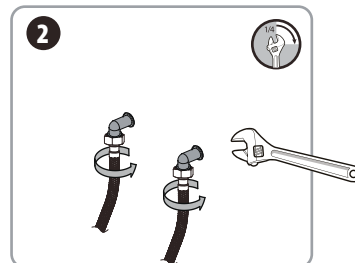
Connect the water pipe onto the mixer, secure using the jubilee and tighten onto the outlet using a screwdriver.



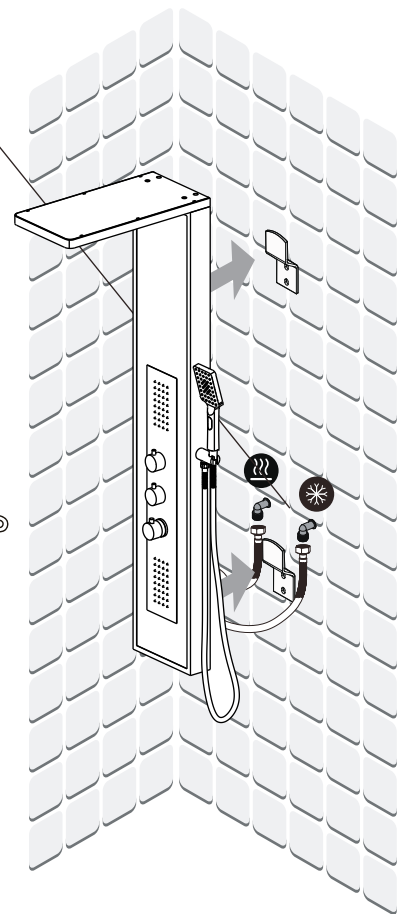
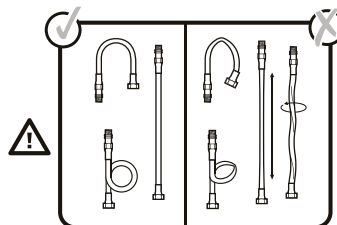
Connect the water supply pipes to the flexi-pipes on the rear of the panel, ensuring hot is on the left and that the seals are fitted, then tighten the nut.



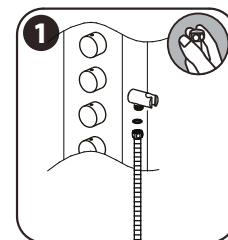
Ensure that flexi-pipes cannot become kinked or flattened.



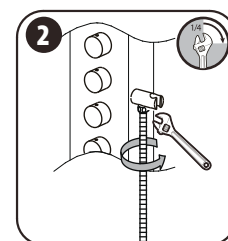
Once connected lift and hang the assembly onto the hanging brackets.



Fit the seal into the nut end of the shower hose and connect the nut to the outlet on the hand shower holder and tighten, if using a spanner, place a cloth around the nut to prevent damage.

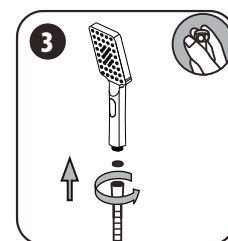


Place the second seal into the cone end of the shower hose and connect this to the hand shower and tighten.



Place the cone of the hose into the holder.

Installation is then complete, the product should then be commissioned, by turning on the water supply and checking for leaks.



Using

Turn on the on/off control handle, and turn the function control handle to switch among shower head, body jet and handshower, turn off the on/off control handle after shower.

To control the temperature, turn the temperature control handle until the desired temperature is reached.

The handle will turn until it reaches as top position, which will be approximately 38c, to increase the temperature, press the button on the handle and while holding this down turn the handle.

Troubleshooting

Poor flow from shower head/ shower handset / body jets

1. This can be caused by poor water flow to the shower tower, check the flow to the shower tower is sufficient and the minimum pressure requirements are met .
2. There may be a blockage to the shower tower or within the hand shower, overhead or body jets

Thermostat not allowing in hot water

1. The water is only cold/warm, will not go to hot, this can be due to unbalanced water pressure, water pressures need to be balanced for correct function
2. Limescale build up or debris in the thermostat, this will require cleaning .
3. Faulty thermostat
4. Product requires re-calibration

Water temperature either very cold or very hot , no gradual mix

1. This is due to the water supplies being connected to the wrong inlet on the tower, these need to be switched so that the correct water supply connects to the correct inlet. (Hot on the left)

Water dripping after being turned off

1. Does the water stop dripping after a period of time, if so this is normal as the water within the unit needs to drain away, so some dripping may occur
2. Does the dripping continue, if so on/off cartridge for on/off control that is dripping, will need to be replaced.

Maintenance

Poor Flow Maintenance:

1. Remove the shower tower flexi-connectors from the tower and turn on the water supply to ensure sufficient water is reaching the unit, if it is poor flow, this is not a product fault

Remove the flexi-pipe connected to the overhead and turn on the water to check water flow is sufficient, if the above is good and this test has poor flow a blockage may be present in the flexi-pipe, try to clear by bending and stretching the pipe to dis-lodge any blockage, if this does not work replace the pipe

Carry out the same with the hand shower and body jets

2. If the flow is sufficient through the pipes, then using your finger or a soft brush rub the rubber nozzles to remove any blockage
3. If none of these resolve the problem contact your retailer for further advice.

Thermostat Not Allowing Hot Water Maintenance

1. If the pressures are not balanced you will need to consult a plumber to either reduce the cold pressure, but ensuring the pressure do not fall below the minimum or a pump may need to be installed to balance the pressures
2. To remove the thermostat for cleaning or replacement, first turn the shower on, then turn off the water supply to the tower by the isolation valves, doing this releases the pressure inside the unit before removal of the component.

Turn the temperature dial to the stop position

Then remove the screw cap from the handle using a screwdriver or blade, taking care not to damage the surface

Then using an allen key remove the handle screw.

Pull the handle from the thermostat.

Pull the stop ring from the thermostat, take note of the position for re-fitting.

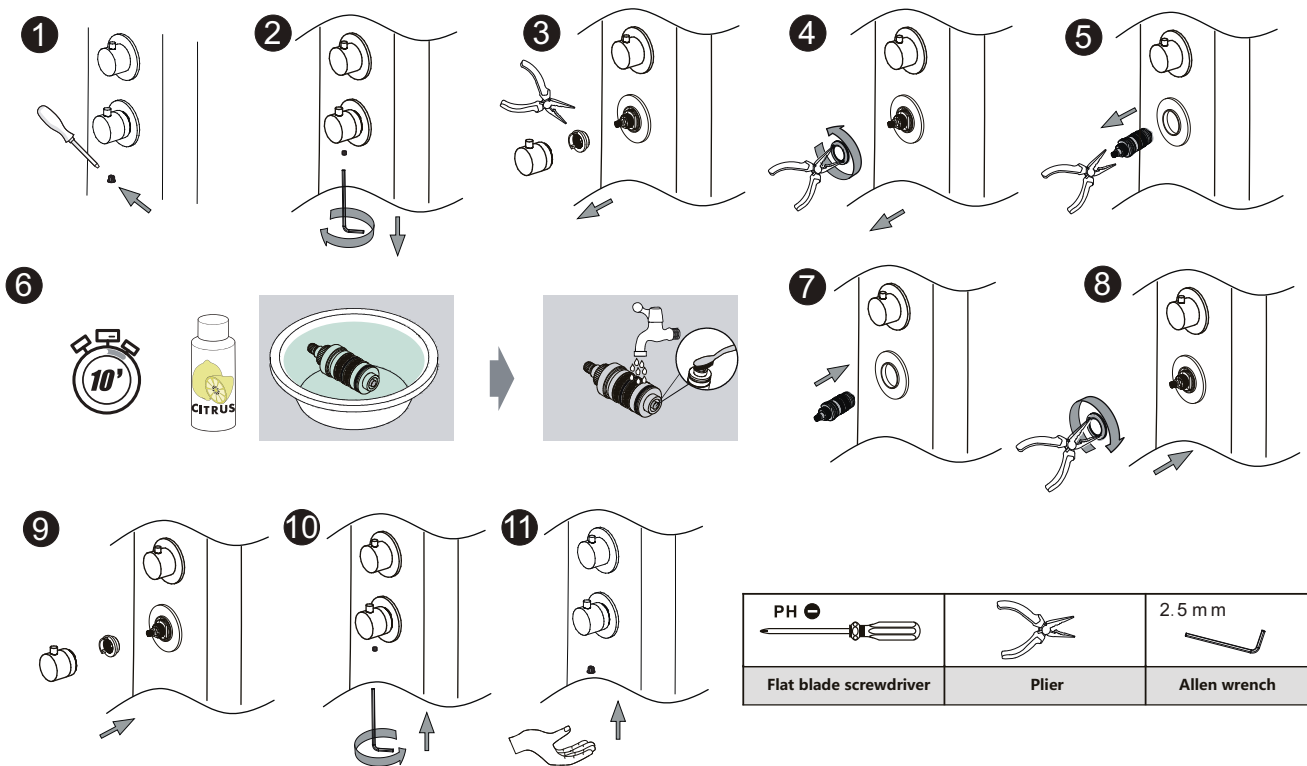
Using long nose pliers, unscrew the retaining nut on the thermostat.

Pull the thermostat from the panel housing.

To clean, run under warm water and brush the filters and thermostat or soak in a very mild vinegar solution.

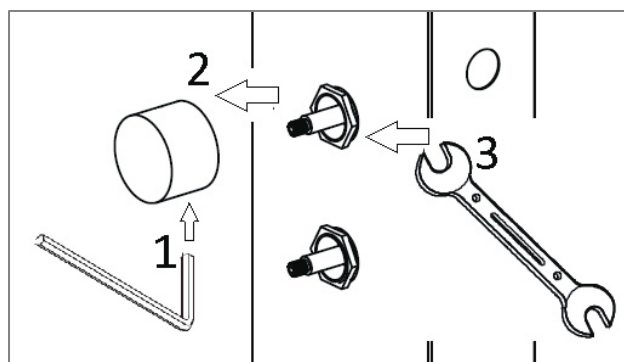
Before re-using the shower allow the shower to run for 1 -2 minutes to flush through.

Thermostat Removal



Water dripping after being turned off Maintenance

1. Loosen the grub screw inside on/off control handle
2. Pull the handle from the valve
3. Using a spanner and taking care not to damage the panel surface remove the retaining nut
4. Once this is removed pull the valve from the panel, either clean the valve or replace as necessary
5. Re-fit the components and fully tighten the retaining nut to prevent any leaks.



Cleaning

To maintain the surface of your product, wipe with a clean damp cloth and wipe dry, do not use any abrasive cleaning agents or materials .

It is recommended to wipe and dry on a regular basis.

For more information

- visit betterbathrooms.com
- email customerservices@buyitdirect.co.uk
- call 0330 390 3062
- write to Trident Business Park, Neptune Way, Huddersfield, HD2 1UA

better 
bathrooms

Part of the BuyItDirect Group